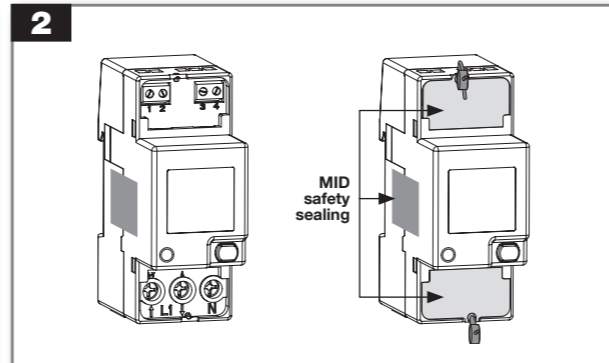
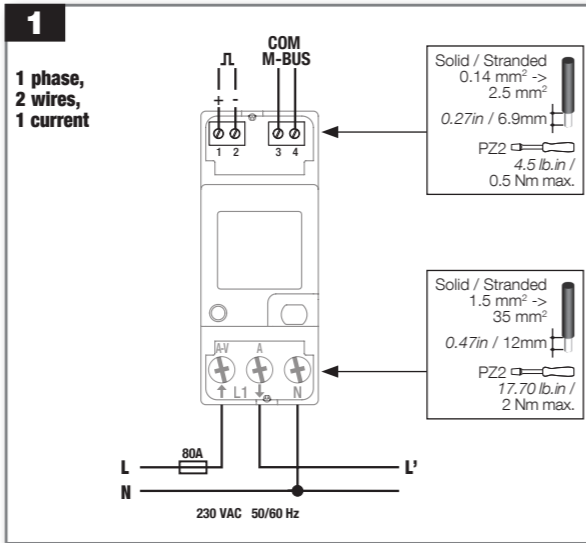


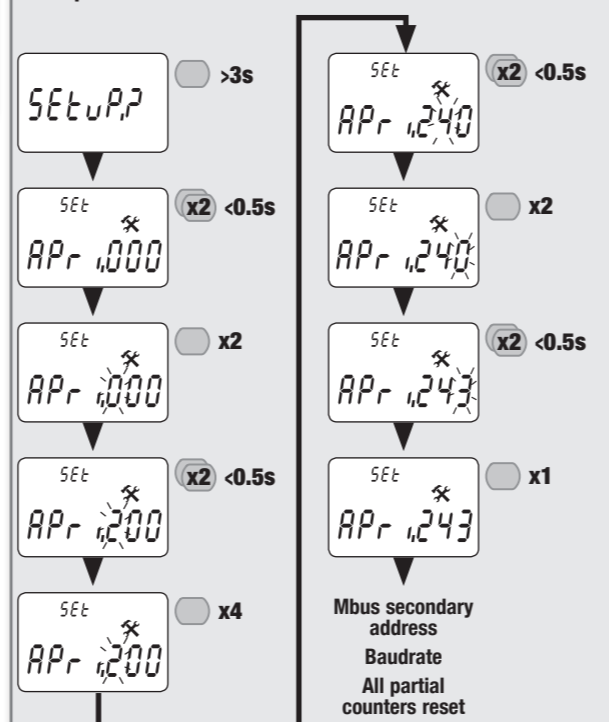
Measurements

The parameters are available according to the device model.

| Instantaneous values | Symbol | Measure unit | Display | Com. |
|---|--------|-------------------|---------|------|
| Phase to Neutral voltages | V | V | ● | ● |
| Current | I | A | ● | ● |
| Power factor | PF | | ● | ● |
| Apparent power | S | kVA | ● | ● |
| Active power | P | kW | ● | ● |
| Reactive power | Q | kvar | ● | ● |
| Frequency | f | Hz | ● | ● |
| Power direction | ↔ | | ● | ● |
| Recorded data | | | | |
| Total energy counters | Ea, Er | kWh, kvarh | ● | ● |
| Total apparent energy | Eap | kVAh | ● | ● |
| Total ind. and cap. reactive energy | Er | kvarh | ● | ● |
| T1/T2 tariff energy counters | Ea, Er | kWh, kvarh | ● | ● |
| T1/T2 tariff resettable partial energy counters | Ea | kWh | ● | ● |
| Resettable partial energy counters | Ea, Er | kWh, kvarh | ● | ● |
| Other information | Symbol | Value/status | Display | Com. |
| Present tariff | T | 1/2 | ● | ● |
| Partial counters | PAR | START/STOP | ● | ● |
| S0 output status | | Active/Not active | ● | ● |



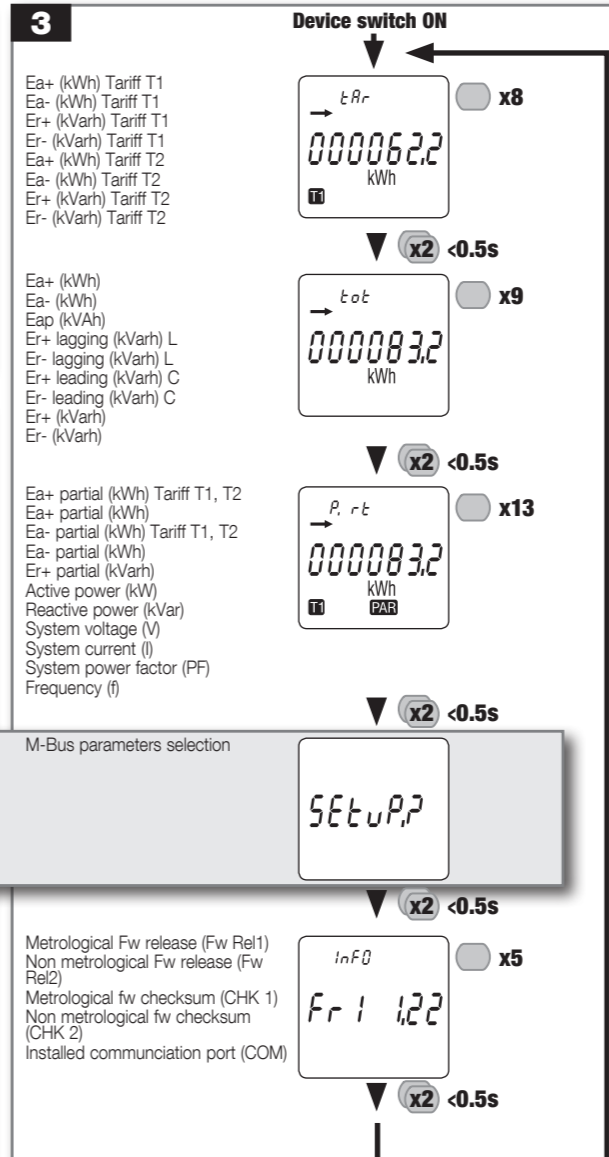
M-Bus parameters selection



Exit from setup (on any page) >3s

Y=Save setting and exit
N=Exit without saving
C=Continue without saving

>3s



Technical characteristics

Data in compliance with EN 50470-1, EN 50470-3

| General | |
|--|---|
| Housing | 2 modules DIN 43880 |
| Mounting | DIN rail EN 60715 |
| Operating features | |
| Connectivity | 2 wires 230 to 240V |
| Storage of energy values and configuration | yes FRAM |
| Display tariffs identifier | T1 and T2 |
| Supply | |
| Autosupplied | |
| Operating voltage range | 184 ... 288 VAC |
| Operating frequency range | 45 ... 65 Hz |
| Rated power dissipation (max.) Pv | 7.5VA - 0.5W |
| Overload capability | |
| Voltage Un continuous | 276 VAC |
| Voltage Un momentary (1 s) | 300 VAC |
| Current Imax continuous | 80 A |
| Current Imax momentary | 30 Imax for 1/2c |
| Display | |
| Display type | LCD 7 digits with backlight |
| Active energy: 1 display, 7-digit | 000000.0 ... 999999.9 kWh |
| Reactive energy: 1 display, 7-digit | 000000.0 ... 999999.9 kvarh |
| Apparent energy: 1 display, 7-digit | 000000.0 ... 999999.9 kVAh |
| Instantaneous active power: 1 display, 4-digit | 00.00 ... 99.99 kW |
| Instantaneous reactive power: 1 display, 4-digit | 00.00 ... 99.99 kvar |
| Instantaneous voltage: 1 display, 4-digit | 000.0 ... 999.9 V |
| Instantaneous current: 1 display, 4-digit | 00.00 ... 99.99 A |
| Power Factor: 1 display, 4-digit | 0.001 ... 1.000 |
| Frequency: 1 display, 4-digit | 45.00 ... 65.00 Hz |
| Display period refresh | 1 s |
| Measuring accuracy | |
| Active energy | class B acc. to EN 50470-3 |
| Reactive energy | class 1 acc. to EN 62053-21 |
| Measuring input | class 2 acc. to EN 62053-23 |
| Measuring input | |
| Type of connection | direct phase/N |
| Certified voltage Un | 230/240 VAC |
| Current Iref | 5 A |
| Current Imin | 0.25 A |
| Operating range current (Ist ... Imax) | 0.020 ... 80 A |
| Certified frequency fn | 50/60 Hz ± 1 Hz |
| Starting current for energy measurement (Ist) | 20 mA |
| Optical interfaces (LED) | |
| Meter constant | 1 Wh/imp |
| S0 Output | |
| Type | Optoisolated - 27VDC 27mA acc. to EN 62053-31 |
| Pulse weight | 100Wh |
| Safety | |
| Indoor meter | yes |
| Degree of pollution | 2 |
| Operational voltage | 300 VAC |
| AC voltage test (EN 50470-3, 7.2) | 4 kV |
| Impulse voltage test | 6 kV 1.2/50µs |
| Protection class (EN 50470) | class II |
| Housing material flame resistance | UL 94 class V0 |
| Embedded communication | |
| M-Bus | 300, 600, 1200, 2400, 4800, 9600 bps |
| Isolation class | SELV Circuit |
| Environmental conditions | |
| Mechanical environment | M1 |
| Electromagnetic environment | E2 |
| Operating temperature | -25 ... +55 °C |
| Limit temperature of transportation and storage | -25 ... +75 °C |
| Relative humidity (not condensation) | ≤80 % |
| Vibrations | ±0.075 mm |
| Degree protection | IP51(*)/IP20 |

(*) For the installation in a cabinet at least with IP51 protection.

Dual dimensions : in/mm

