



Communication accessories

Connecting the RS485 link

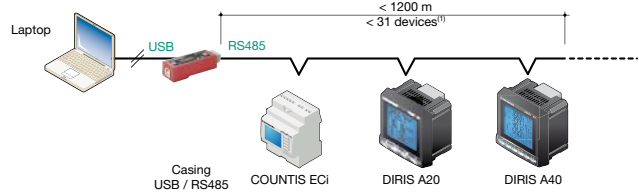
USB / RS485 interface



inter_002_a_2_cat

Function

If the PC is not equipped with a serial port, this interface can be connected via a USB port to obtain an RS485 communication port. Recommended for local use and not for permanent installation.

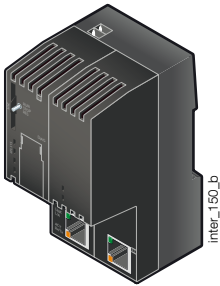


inter_142_g_1_gb_cat

References

Description of accessories	Reference
External USB / RS485 interface unit	4899 0110

Modbus/Profinet communication gateway



inter_150_b

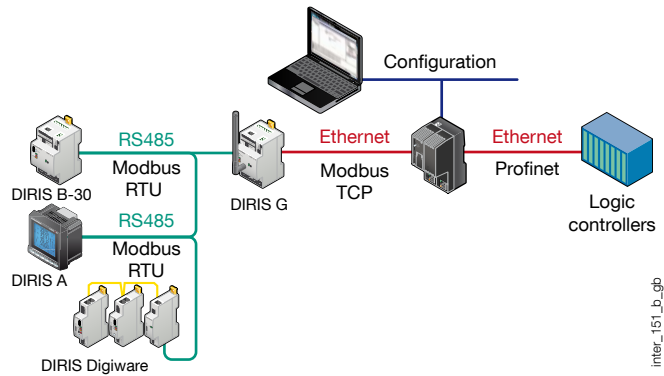
Function

The PROFINET communication gateway enables SOCOMEC communicating products in TCP modbus to be connected to a PROFINET network.

Advantages

Implementation, maintenance and diagnostic with a unique configuration software (Sycon.net), which is downloadable from SOCOMEC website.

- Several communication ports.
- IP20 DIN-rail mounting.
- Slot for MMC memory card.
- Configuration via USB port using a PC.
- Operation signalling Leds.
- Modbus data conversion up to 512 bytes data with Profinet (Modbus slave).

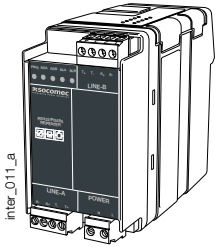


inter_151_b_gb

Memory	8 MB SDRAM
	4 MB serial Flash
	MMC card (optional) 2 GByte max
Power supply	Voltage 24 V ± 6 V DC - reverse pole protected
	24 V current (typical) 130 mA
	3.2 W power consumption
	Mini-COMBICON, 2-pin connector
Configuration interface	USB
Operating temperature	0 ... + 60 °C
Dimensions W x H x D	100 x 70 x 52 mm (without connector)

Description of accessories	Reference
Profinet / Modbus-TCP interface	4899 0301

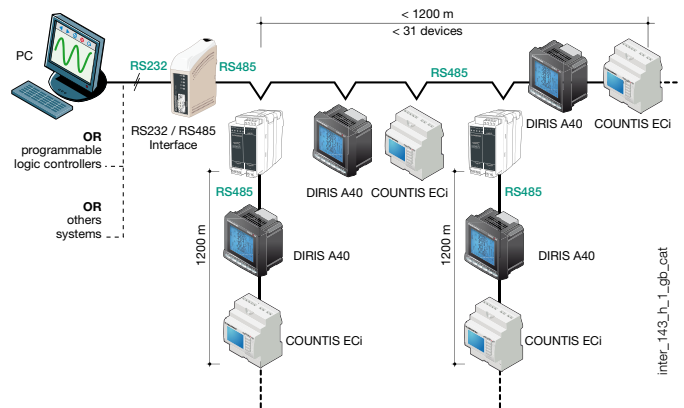
RS422 / RS485 repeater



Function

In some applications the maximum distance and/or the maximum number of devices can be exceeded. One solution to this technical restriction is to install an interface which amplifies the signal over a further 1200 m (at 9600 bauds) for 31 devices.

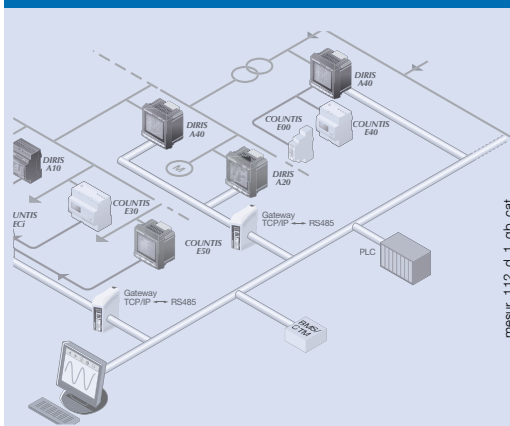
In addition, it allows you to introduce a new branch to the network, thereby making it possible to reduce the length of connection cable required by avoiding back and forth cabling.



References

Auxiliary power supply U_s	Frequency	Reference
95 ... 240 VAC / 110 ... 250 VDC	50 Hz	4899 0120

Other solutions and services



The accessories listed in these pages represent a selection from our range.

We can supply many other solutions upon request, such as SHDSL interfaces, fibre optics/RS485, GSM/GPRS and protocol converter interfaces.

Need something integrating into your network?

No problem for our Expert Services team. They will fully integrate all your SOCOMEC devices, audit your system, commission selected equipment and train your staff on its use.

For further information, please contact your nearest SOCOMEC branch.