



# ISOM PS-61

Portable insulation fault location system  
for power networks or control circuits

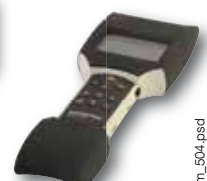
Insulation monitoring



Full case  
**ISOM PS-61**



Portable locating current injector  
**ISOM JP-61**



Portable locating device  
**ISOM FP-60**

## The solution for

- > Industries
- > Energy production
- > Naval, military and railway infrastructures



## Strong points

- > Insulation measured by circuit
- > In-depth insulation
- > Fully compatible with the permanent ISOM Digiware system
- > Diagnostics of differential currents on TNS and TT networks
- > Graphic analysis of the locating signal
- > Micro-SD card for backup
- > Improved ergonomics for portable use

## Conformity to standards

- > IEC 61557-9



## Function

The **ISOM PS-61** is a portable system that allows you to:

- Extend the ISOM Digiware system for accurate fault-localisation
- Audit the insulation of power networks or control circuits.

### Portable ISOM JP-61 locating current injector

Portable case for the following functions:

- Locating current injector
- Insulation monitoring

## Advantages

### Insulation measured by circuit

The ISOM FP-60 locating unit – with a connection to the electrical network – provides insulation readings of the monitored circuit.

### In-depth insulation

By measuring the local voltage, you get a detailed insulation evaluation with breakdown of resistive and capacitive components for a better appraisal of the insulation.

### Fully compatible with the permanent ISOM Digiware system

The ISOM FP-60 portable locating unit is compatible with the locating signal generated by an ISOM Digiware L-60.

It performs:

- The localisation of insulation faults in IT systems with single and three-phase AC and DC networks from 20 to 480 V.
- The measurement of differential currents in IT, TT and TN systems on single-phase or three-phase AC networks from 2 mA to 10 A.

### ISOM FP-60 portable locating unit

- Extended sensitivity range:
  - IT system: between 0.2 and 25 mA
  - TT/TNS system: between 2 mA and 10 A
- A graphical display to analyse the locating signal.
- Backlight button on the front panel.
- Robustness (protective bumpers provided).

### Diagnostics of differential currents on TNS and TT networks

The ISOM FP-60 locator can also be used to measure the differential current (to check if the residual-current device RCD is working properly).

### Graphic analysis of the locating signal

The graphic display shows the locating signal to evaluate the interference level of the monitoring system.

### Micro-SD card for backup

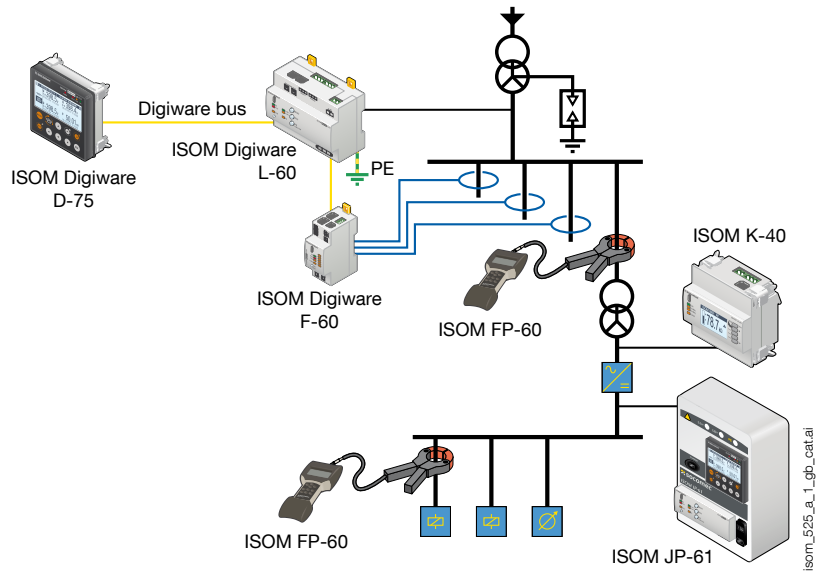
With this device, you can save screenshots to a micro-SD card.

### Improved ergonomics for portable use

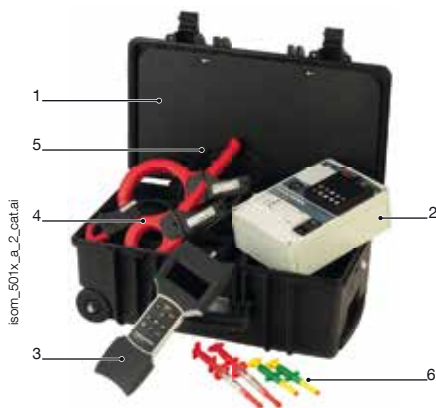
The battery life makes it easier to operate the unit in portable mode. The soft protective bumpers protect the device from occasional shocks.

## Functions

- Portable standalone detection or in addition to permanently installed ISOM Digiware F-60 locating modules.
- Detects fugitive faults.
- Locates capacitive zero-currents or on protective conductors.
- Prevents and diagnoses accidental tripping of RCDs (knock-on effects, current resulting from filtering...).



## Contents



1. Portable rolling case with retractable handle.
2. ISOM JP-61 locating current injector box.
3. ISOM FP-60 portable locating unit.
4. Detection clamps (20 and 52 mm).
5. Wire grabber and set of connecting cables (network, mains)
6. USB charger.

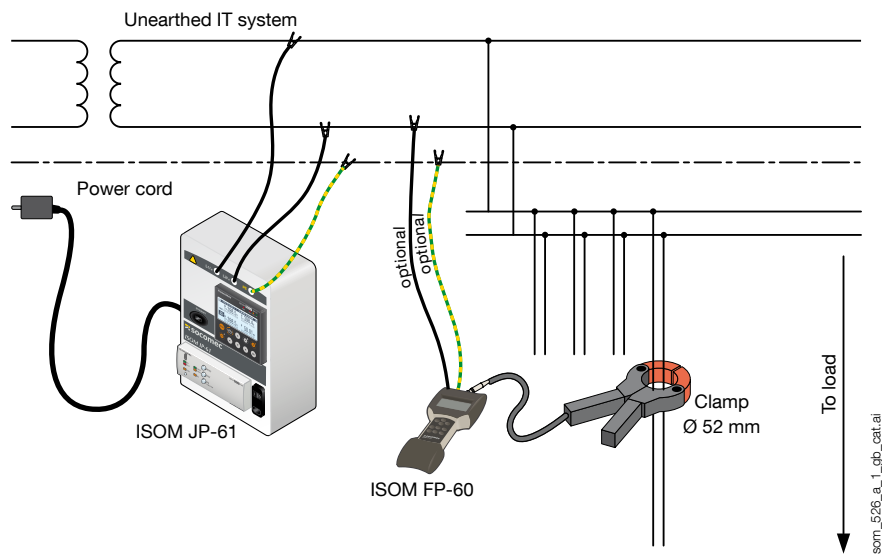
## Dimensions

Type	Case
Dimensions W x H x D	546 x 347 x 247 mm
Hardware	Polypropylene
Protection degree	IP 67
Weight (empty case)	7 kg
Weight (full case)	12 kg

# ISOM PS-61

Portable insulation fault location system  
for power networks or control circuits

## Connections



## Characteristics

### ISOM JP-61 locating current injector

<b>Insulation</b>	
Rated operating voltage	600 V
Insulating voltage	690 V
<b>Power supply</b>	
Power supply $U_s$	230 VAC 50-60 Hz
<b>Monitored network <math>U_n</math></b>	
Monitored network voltage $U_n$	AC 24 - 480 V / DC 24 - 480 V
Frequency range	DC, 10-460 Hz
<b>Injection</b>	
Adjustable max. locating current	1, 2.5, 10 or 25 mA
<b>Operating conditions</b>	
Operating temperature range	-10 ... +55 °C
Storage temperature	-40 ... +70 °C
<b>General features</b>	
Dimensions W x H x D	254 x 180 x 90 mm
Weight	1 000 g

### ISOM FP-60 locating unit

<b>Power supply</b>	
Power supply $U_s$	Li-On battery
Battery life	> 8 hours with backlight on
<b>Measured input: FLD mode</b>	
Measurement range	40 $\mu$ A at 25 mA
<b>Measured input: AC differential mode</b>	
Measurement range	3 mA at 10 A
<b>Operating conditions</b>	
Operating temperature range	-20 ... +60 °C
Storage temperature	-20 ... +60 °C
<b>General features</b>	
Dimensions W x H x D	315 x 117 x 49 mm
Weight	1 500 g

### Detection clamps

<b>Clamp diameter 20 mm</b>	
Diameter	20 mm
Dimensions W x H x D	135 x 65 x 32 mm
Cable length	$\pm$ 2,000 mm
Output connection	BNC connector
Protection index (standard NF C 20-010, IEC 60529)	IP40
Weight	200 g
<b>Clamp diameter 52 mm</b>	
Diameter	52 mm
Dimensions W x H x D	216 x 111 x 45 mm
Cable length	$\pm$ 2,000 mm
Output connection	BNC connector
Protection index (standard NF C 20-010, IEC 60529)	IP40
Weight	550 g
<b>Clamp diameter 115 mm</b>	
Diameter	115 mm
Dimensions W x H x D	308 x 150 x 43 mm
Cable length	$\pm$ 2,000 mm
Output connection	BNC connector
Protection index (standard NF C 20-010, IEC 60529)	IP40
Weight	1,700 g

## References

<b>ISOM PS-61</b>	<b>Reference</b>
Full case ISOM PS-61 containing: ISOM JP-61 + ISOM FP-60 + clamps Ø 20 mm and Ø 52 mm + cabling accessories JP-61 + FP-60	4725 <b>0210</b>
<b>Separate components</b>	<b>Reference</b>
ISOM JP-61 locating current injector	4725 <b>0220</b>
ISOM FP-60 locating unit	4725 <b>0230</b>
Clamp Ø 20 mm	4794 <b>1020</b>
Clamp Ø 52 mm	4794 <b>1052</b>
Clamp Ø 120 mm	4794 <b>1120</b>
Set of connecting accessories for ISOM JP-61	4725 <b>0290</b>
Set of connecting accessories for ISOM FP-60	4725 <b>0291</b>
Empty case	4725 <b>0292</b>