



SURGYS® G100-F

Surge arrester - Types 1 and 2

for installations with lightning conductor and classified sites

Electronic protection



SURGYS G100-F 1 pole

Function

The SURGYS G100-F surge arrester is designed to ensure the protection of your low voltage distribution installations and your electrical equipment. It acts against industrial operation surges and surges owing to lightning. This type of surge arrester is particularly recommended where there is a risk of direct impact of lightning strikes.

Advantages

Recommended where there is a risk of direct impact from lightning strikes

It is recommended for use at the top of the installation, due to its max. impulse current I_{imp} (10/350µs wave) of 25 kA.

Absence of follow current

The multi-varistor technology ensures there is no line follow current and avoids any risk of nuisance tripping of upstream protection devices.

Integrated thermal disconnection device

Guarantees disconnection at surge arrester's end of life.

End of service life indicator

Indicates varistor's end-of-life.

Remote signalling

The remote signalling contact provides disconnection data to a supervision station (BMS).

Plug-in modules for easy maintenance

These modules are quick and easy to replace, without having to uncable the device.

The solution for

- > Industry
- > All types of building (critical, non-critical)



Strong points

- > Recommended where there is a risk of direct impact from lightning strikes
- > Absence of follow current
- > Integrated thermal disconnection device
- > End of service life indicator
- > Remote signalling
- > Easy maintenance

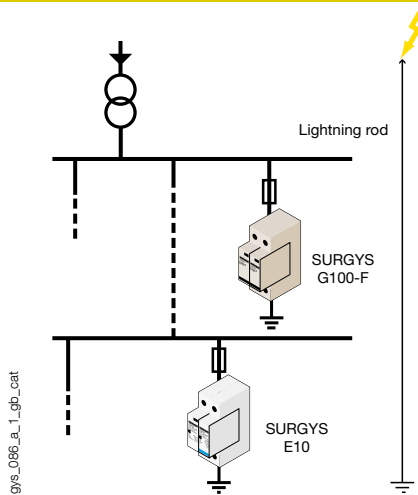
Compliance with standards

- > NF EN 61643-11
- > IEC 61643-11

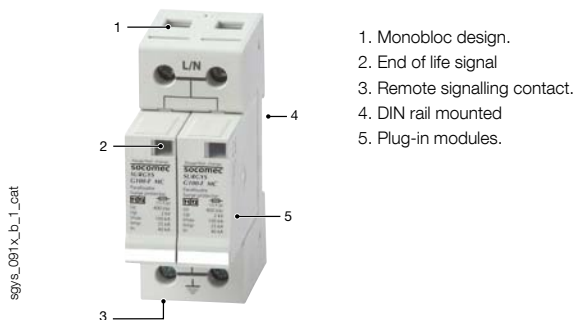


Applications

- Located in the main switchboard, upstream of the distribution panels.
- Main electrical switchboard + building protected against lightning either:
 - through lightning conductors
 - through mesh cages.
- Main switchboard in buildings subject to a high risk of lightning strikes such as classified installations, installations located in areas prone to a high density of lightning strikes, high-rise buildings, presence of antenna towers, chimneys.
- Sites located at high altitude.
- Distribution board of a building with presence of Lightning Protection Systems.

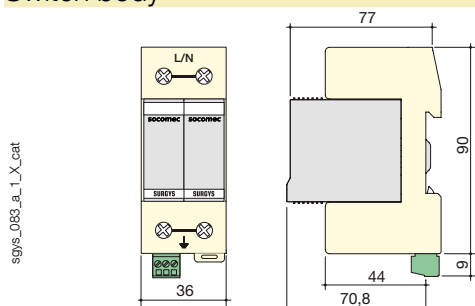


Front panel



sgys_081x_b_1_cat

Switch body



sgys_083_a_1_X_cat

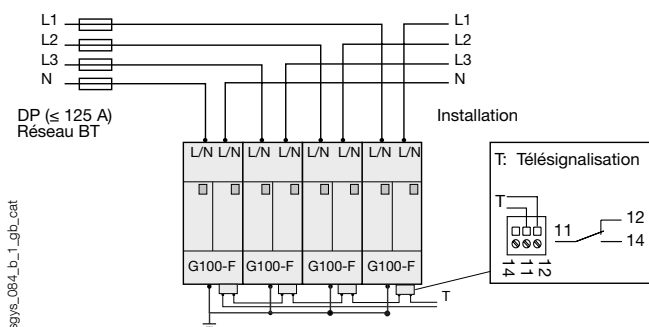
Type	modular
Dimensions W x H x D - 2 pole device	72 x 90 x 77 mm
Dimensions W x H x D - 3 pole device	108 x 90 x 77 mm
Dimensions W x H x D - 4 pole device	144 x 90 x 77 mm
Casing protection index	IP20
Terminal block degree of protection	IP20
Case material	PEI UL94-5VA thermoplastic
Mains connection cross-section	4 ... 25 mm ²
Earthing connection cross-section	4 ... 25 mm ²

Specifications

Mains	
Mains type	230 / 400 VAC
Neutral arrangements	As per reference
Nominal voltage U_n	400 VAC
Max. voltage U_c	440 VAC
Temporary surge (TOV) 5 s U_T	580 VAC withstand
Temporary surge (TOV) 120 min U_T	770 VAC disconnection
Protection characteristics	
Level of protection U_p	2 kV
Max. current discharge (1 impulse 8/20 μ s) I_{max}	100 kA
Nominal discharge current (15 impulses 8/20 μ s) I_n	25 kA
Residual voltage at I_{imp}	1.5 kV
Impulse current (1 shock 10/350 μ s) I_{imp}	25 kA
Protection mode	Common
Associated characteristics	
Residual current I_c	< 1 mA
Response time t_r	< 25 ns
Follow current I_f	None
Admissible short-circuit current I_{scor}	25 kA
Recommended disconnectors	gG 315 A fuses
Type of disconnection indicator	Mechanical
Number of disconnection indicators	1
Remote signalling contact	
Contact type	NO/NC
AC making capacity	0.5 A
DC making capacity	2 A
AC nominal voltage	250 VAC
DC nominal voltage	30 VDC
Sustained current	2 A
Connection type	Screw terminal block
Max. cross-section of connections to terminals	1.5 mm ²
Operating conditions	
Operating temperature range	-40 ... +85°C
Storage temperature range	-40 ... +85°C

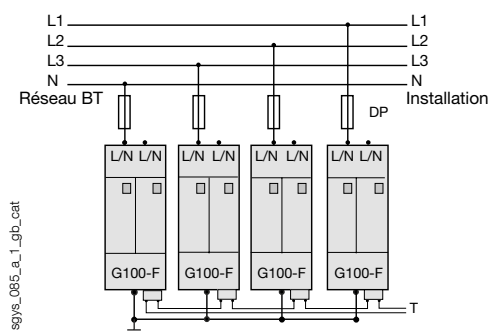
Connection

Series arrangement



sgys_084_b_1_gb_cat

Parallel arrangement



sgys_085_a_1_gb_cat

References

No. of poles	No. of adjacent boxes	Neutral arrangements	I total (10/350 μ s)	SURGYS® G100-F Reference
2	4	IT	50 kA	4981 1020
3	6	TNC-IT	75 kA	4981 1030
4	8	IT	100 kA	4981 1040
Description of accessories				Reference
Spare plug-in module				4981 1019