



# ISOM Digiware D-55h

Control and power supply interfaces  
for medical premises

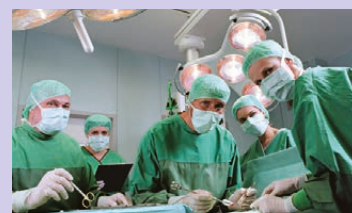
Insulation  
monitoring



ISOM Digiware D-55h

## The solution for

- > Operating rooms
- > Anaesthesia rooms
- > Recovery rooms
- > Invasive imaging rooms



## Strong points

- > High-resolution graphic screen
- > Secure power supply
- > Ergonomic and easy to use
- > Centralising measurement points
- > Email notifications
- > Alert reporting for medical facilities

## Conformity to standards

- > IEC 61557-8
- > IEC 61557-9
- > IEC 61557-12
- > ISO 14025



## Approvals and certifications

- > Naval certifications

## Create your project

- > Find the best Digiware configuration:  
[www.meter-selector.com](http://www.meter-selector.com)



Configuration  
with Easy Config System.

## Function

ISOM Digiware D-55h remote screens give you:

- A local visualisation of data from ISOM Digiware L-60h and F-60 modules, but also from the other modules connected to the Digiware network or from COUNTIS E and DIRIS A over the RS485 bus
- Power supply of Digiware modules
- Access to this data over Ethernet

Via an RS485 connection, the ISOM Digiware screen also acts as a gateway, centralising all information from other ISOM devices and making this information available over Ethernet.

The screen can also be used in medical facilities (optional recessed housing integration kit) for use as an alarm relay.

## Advantages

### High-resolution graphic screen

The screen displays various graphical objects such as bar graphs and insulation curves with measurement cursors.

### Secure power supply

The 24 VDC power supply prevents hazardous voltages on the cabinet doors.

### Ergonomic and easy to use

With its 10 buttons on the front panel, you can quickly access the measurement information. The Quick-Access button lets you quickly and easily navigate between the main operating screens. It also makes it easy to select and configure equipment and circuits.

### Centralising measurement points:

- Selecting the circuit
- Viewing the data

### Email notifications

In the event of an alarm, the device can automatically send an email to prevent use (e.g. if there is an insulation fault).

### Alert reporting for medical facilities

The device can also be used as an alarm indicator (Ethernet connection). It shows alarms related to insulation control and transformer overheating and overloading.

# ISOM Digiware D-55h

Control and power supply interfaces

for medical premises

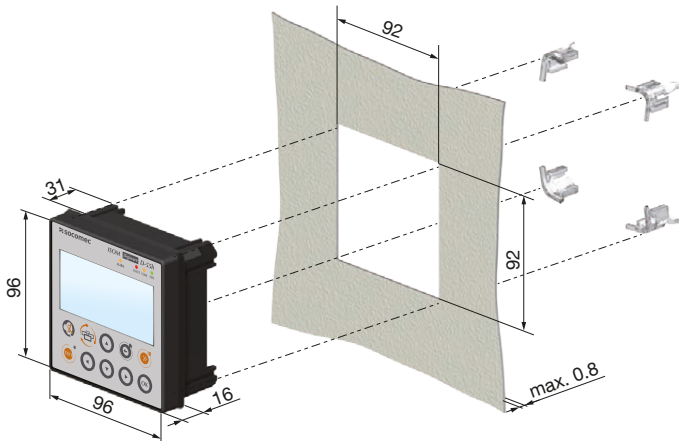
## Front panel



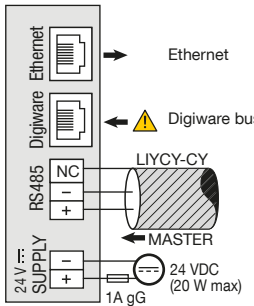
1. Buzzer stop
2. TEST: Starting test sequence on L-60h and F-60h
3. Navigation buttons
4. Device selection
5. OK button
6. Quick-Access button: Overall insulation → Rf and Cf curves → Insulation per circuit → PMD measurements (if available)
7. Home (long press) / Back (short press)
8. LED indicators:  
ALARM: insulation fault  
FAULT: system alarm  
COM: com bus active  
ON: power on

## Dimensions (mm)

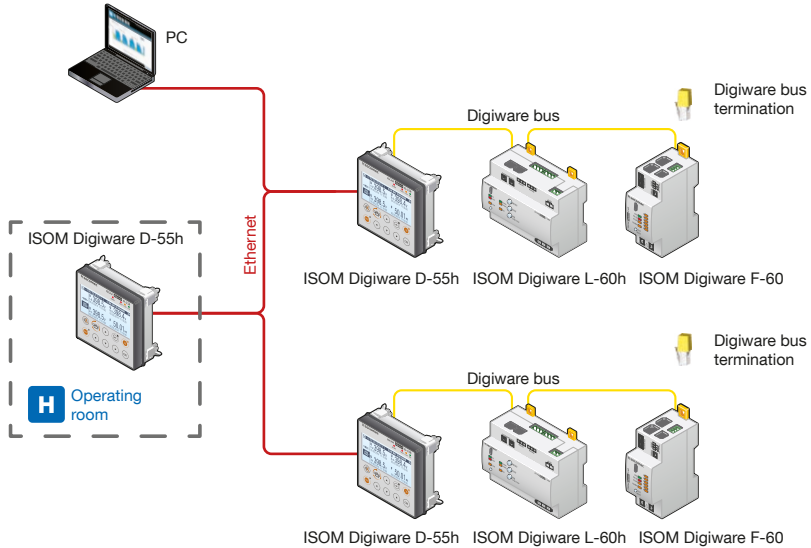
On door cutout DIN 96 x 96 mm



## Connections



isom-dw\_024\_a\_1\_gb\_cat.ai



isom-dw\_039\_a\_1\_gb\_cat.ai

# ISOM Digiware D-55h

Control and power supply interfaces

for medical premises

## Characteristics

Digiware bus	
Function	Connection between DIRIS Digiware modules
Cable type	Specific Socomec cable with RJ45 connection
RS485	
Connection type	2 to 3 half duplex wires
Protocol	Modbus RTU
Baudrate	1200 to 115200 bauds
Mechanical specifications	
Type of screen	Capacitive touch-screen technology, 10 keys
Screen resolution	350 x 160 pixels
Front panel protection degree	IP65
Electrical specifications	
Power supply	24 VDC +10% / -20%
Power consumption	2.5 VA

Communication	
Ethernet RJ45 10/100 Mbs	Gateway function: Modbus TCP
RJ45 Digiware	Control and power supply interface function
RS485 2-3 wires	Communication function with Modbus RTU slaves
USB	Upgrade and configuration via type B micro USB connector
Ports	
Inputs	Digiware, RS485
Outputs	Ethernet RJ45
Environmental specifications	
Storage temperature	-40 to 70 °C
Operating temperature	-10 to +55 °C
Humidity	95% at 55 °C
Installation category, degree of pollution	CAT III, 2

## References

Standard display model		Reference	
D-55h	Multipoint display, Ethernet output	4729 0204	
Power supply		Reference	
P15	Power supply 100-240 VAC / 24 VDC 15 W	4829 0120	
P30	Power supply 100-240 VAC / 24 VDC 30 W	4729 0603	
Accessories		Available for order in multiples of	Reference
Enclosed wall mounting accessory (recessed housing)			4729 0292
Fuse holder, 1 pole + neutral to protect input voltages (RM)		4	5701 0017
gG 10x38 1 A fuses		10	6012 0001
DIN rail mounting kit for D-55h monitors			4829 0230
144 x 96 mm DIN door mounting kit			4729 0290
IP 65 flexible cover for 144 x 96 mm door mounting frame			4729 0291
Digiware connection cables		Reference	
RJ45 cables for Digiware Bus		Length 0.06 m	4829 0189
		Length 0.10 m	4829 0181
		Length 0.20 m	4829 0188
		Length 0.50 m	4829 0182
		Length 1 m	4829 0183
		Length 2 m	4829 0184
		Length 3 m	4829 0190
		Length 5 m	4829 0186
		Length 10 m	4829 0187
		50 m reel + 100 connectors	
Termination for Digiware Bus (supplied with interfaces C and D)		4829 0180	
USB configuration cable		4829 0050	

## Want to monitor your systems?

### WEBVIEW-M solution built into the ISOM Digiware D-75 display

The ISOM Digiware D-75 display centralises data from modules in the Digiware range. It embeds the WEBVIEW-M software allowing remote visualisation, monitoring and use of measurement data and the insulation level of the electrical system.



*System requirement:  
WEBVIEW-M is built into  
the ISOM Digiware D-75.*



*ISOM Digiware D-75 is  
ready to be connected  
to a Cloud platform.*



*Display of multi-product  
electrical parameters on  
a customised platform  
like an electrical circuit  
diagram or a site  
drawing.*

## Expert Services

Socomec offers a range of services to help you optimise your electrical installations and increase efficiency:

### Pre-project & installation

- Inspecting the installation
- Commissioning the equipment
- Training for operative teams

### Operation

- Checking the insulation monitoring architecture (NFC 15100)
- Fault-finding
- Training on the handheld fault location tool, ISOM PS-62

*To find out more, ask your Socomec representative.*