



ISOM T-15

Connection adaptor to ISOM Digiware F-60 modules
for locating core balance transformers

Insulation monitoring



tore_1102_front.psd

ISOM T-15
mounted on a Δ IP \varnothing 50 core balance transformer

The solution for

- > Industries
- > Energy production
- > Naval, military and railway infrastructures
- > Healthcare facilities



Strong points

- > Self-powered
- > Alarm LED
- > Plug & Play
- > Compatible with all core balance transformers

Conformity to standards

- > CEI 61557-9
- > ISO 14025



Conformity to standards

- > Naval certifications ⁽¹⁾

(1) Certification in progress

Create your project

- > Find the best Digiware configuration:
www.meter-selector.com



Function

The **ISOM T-15** adaptor acts as the interface between the locating core balance transformer and the ISOM Digiware F-60 module for insulation fault location purposes.

Δ IP locating core balance transformers equipped with ISOM T-15 adaptors can be combined with current sensors (TE, TR, TF) on the same ISOM Digiware F-60 module.

The adaptor comes in a tropicalised version (ISOM T-15t) for extreme environments.

Advantages

Self-powered

The ISOM T-15 is powered by the ISOM Digiware F-60 module, via the RJ12 link.

Alarm LED

With the integrated alarm LED on the ISOM T-15, you can quickly locate the fault inside the cabinet.

Plug & Play

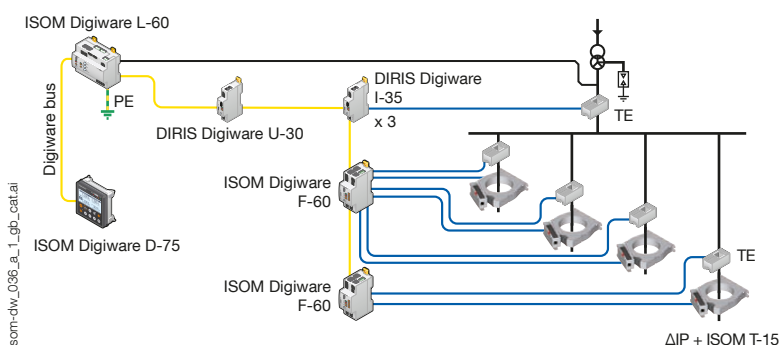
The direct mechanical and electrical connections to the Δ IP core balance transformer and the RJ12 link to the ISOM Digiware F-60 simplifies the integration of the Digiware system.

Compatible with all core balance transformers

- Existing Δ IP range
The mechanical design of the ISOM T-15 allows it to be mounted directly onto the Δ IP core balance transformers (diameter 30 mm and above), without any cabling or tools. Existing installations equipped with Δ IP core balance transformers can be upgraded to an ISOM Digiware system.
- Other core balance transformers
The ISOM T-15 module can also be connected to third-party locating core balance transformers and mounted on a DIN rail. It acts as the interface between the core balance transformer and the ISOM Digiware F-60 locating module.

Applications

Associated with the ISOM Digiware F-60 locating module, the ISOM T-15 adaptor locates the insulation fault. It physically detects the cable responsible for the fault.



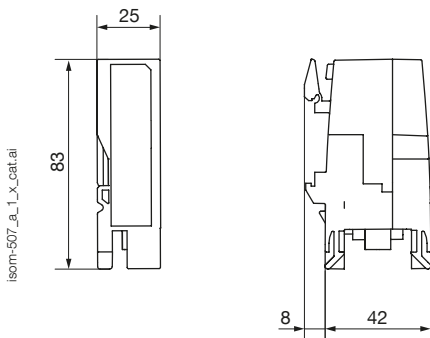
isom-dw_036_a_1_gb_cat.ai

Front panel



1. Clip to mechanically and electrically connect to the Δ IP core balance transformer.
2. Alarm LED. Lights if there is fault on the circuit or flashes if there is a connection problem with the core balance transformer.
3. Connection base to the Δ IP core balance transformer (supplied with 2-pin removable terminal block for remote connection).
4. DIN rail mounting clip.
5. RJ12 connection to ISOM Digiware F-60.

Dimensions (mm)

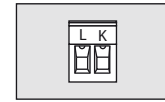


Terminals and connections

Connection



RJ12: Connection to ISOM Digiware F-60



L - K: 2-pin connection to the locating core balance transformer

Characteristics

Network voltage U_n	
AC operating range	Refer to ISOM Digiware F-60
Auxiliary power supply U_s	
Power supply voltage	Self-powered
Power consumption	0.05 W
Scanning channels	
Number of channels per device	1
Locating current threshold	Adjustable 0.2 ... 25 mA
Insulation threshold	Adjustable 0.5 k Ω ... 400 k Ω
Connection	
Number of core balance transformers	1
Connection type	Specific Socomec cable with RJ12 connectors

Operating conditions	
Operating temperature range	-10 ... +55 °C
Storage temperature	-40 ... +70 °C
Relative humidity	90% at 55 °C
Operating conditions (version t)	
Operating temperature range	-10 ... +70 °C
Storage temperature	-40 ... +85 °C
Relative humidity	97% at 55 °C
Operating mode	Standby / On
Preset operating mode	Standby

References

Standard adaptor version		Reference
T-15		4729 0590
Tropicalised adaptor version		Reference
T-15t		4729 0591
Accessories		Reference
Specific RJ12 cables to connect to ISOM Digiware F-60		